

FEATURES

- » Made from Double Layer Acrylic
- » Double Backrest
- » Integrated Overflow
- » Glossy White Finish
- » Center Drain

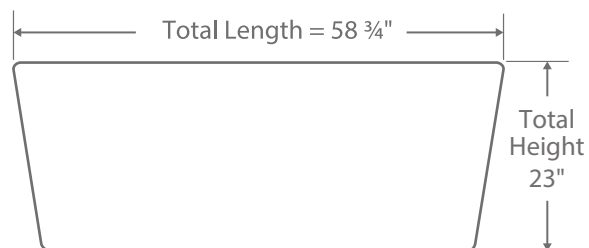


REQUIRED FOR INSTALLATION

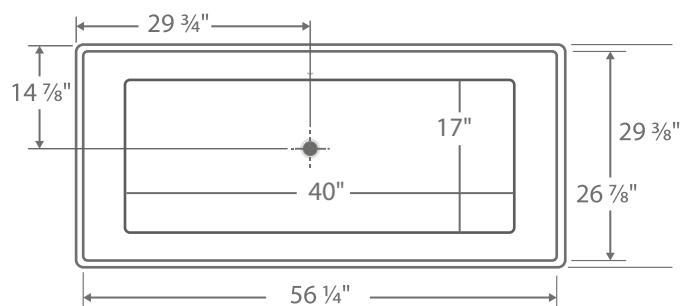
- » Recommended Drain: AT0140

L. 58 ¾" x W. 29 ⅜" x H. 23"

SIDE VIEW



TOP VIEW



Dimensions of fixtures are approximate and may vary $\pm 6\text{mm}$ (¼"). Structure measurements must be verified against the unit to ensure proper fit.