



# Installation Manual

Models: USC535  
Wall Union

## Unity Round Wall Union

---

Installation Manual

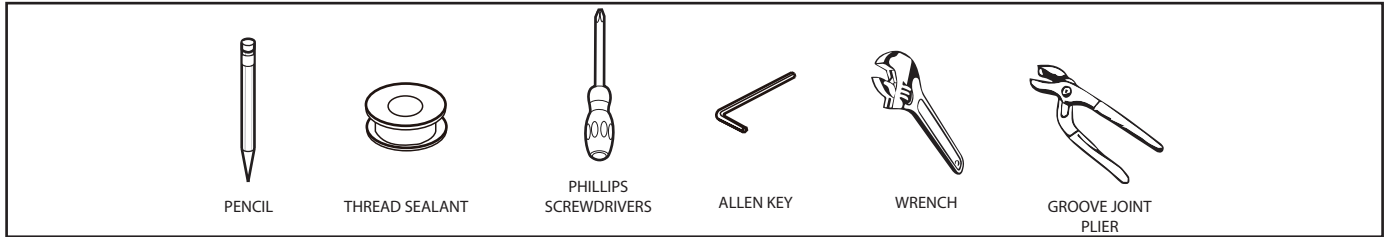


**Please read notices on following page**

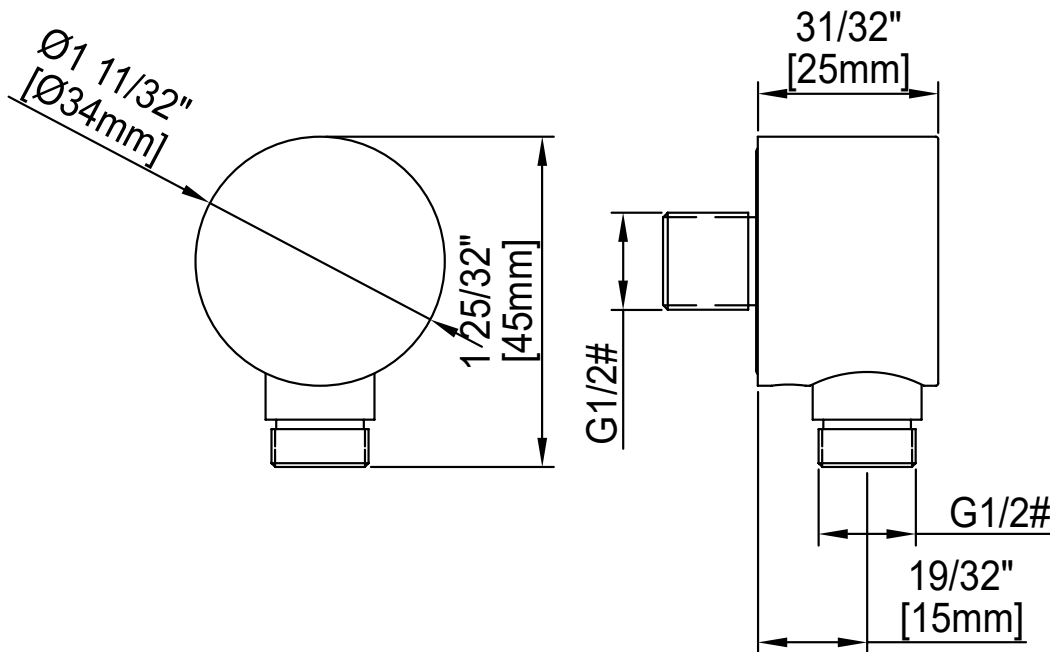
---

**PRODUCT SPECIFICATIONS ARE SUBJECT TO CHANGE WITHOUT NOTICE.**  
Dimensions of fixtures are approximate and may vary  $\pm 6\text{mm}$  (1/4"). Structure measurements must be verified against the unit to ensure proper fit.

## Materials and Tools Required



## Important Measurements



## GENERAL INSTRUCTIONS

- Read this guide carefully and completely before proceeding.
- It is recommended that you wear safety glasses during the installation.

## NOTICE

- For best results, we recommend that a licensed, professional plumber installs this unit.
- Please read over these instructions thoroughly before beginning installation.
- Make sure that you have all tools and supplies needed to complete the installation.
- Please check local building code.
- Keep receipts (proof of purchase and place of purchase) for this product. The receipt is required should it be necessary to request warranty parts.

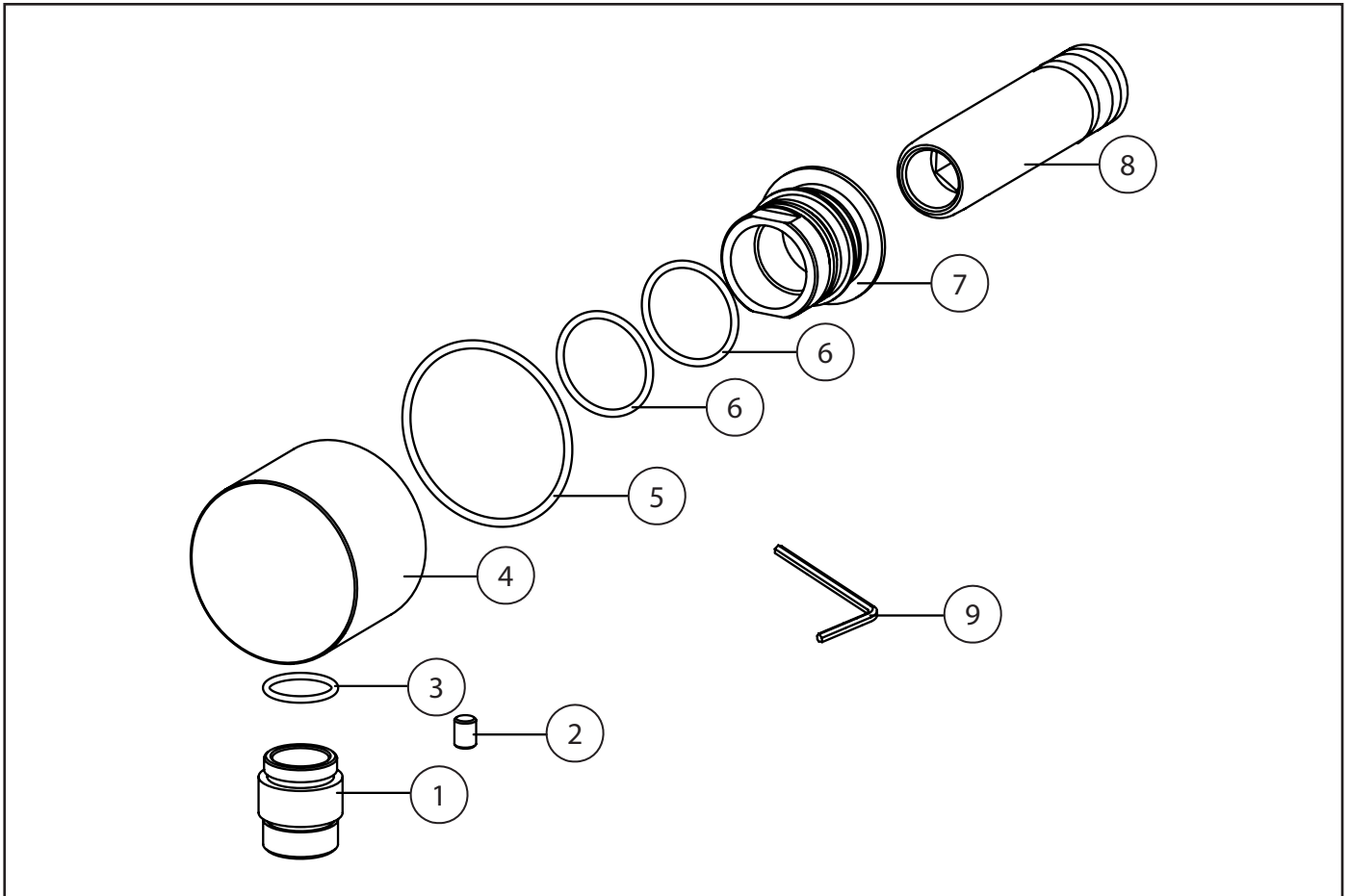
## MAINTENANCE & CARE FOR YOUR UNITY PRODUCTS

- To clean your faucet or accessory, when necessary, wash with a nonabrasive wet soapy cloth. Then wipe dry with a soft towel or cloth.
- Do not use any abrasive chemical or corrosive powders, detergents, window cleaners, disinfectants or any other strong cleaners on your Product as they will destroy the finish and therefore void the warranty

## IMPORTANT INFORMATION

- Always turn the water supply off before removing the existing faucet or disassembling a faucet.
- Ensure the water has been turned off.

Parts List



ITEM	DESCRIPTION	SKU	QTY
1	Shower Connection Nut		1
2	Fixing Screw		1
3	O-Ring		1
4	Decorative Cover		1
5	O-Ring		1
6	O-Ring		2
7	Connector		1
8	G 1/2" - 1/2" NPT Male Nipple		1
9	Allen Key		1

## ATTENTION!

**SHUT OFF THE MAIN WATER SUPPLY BEFORE STARTING THE INSTALLATION**

