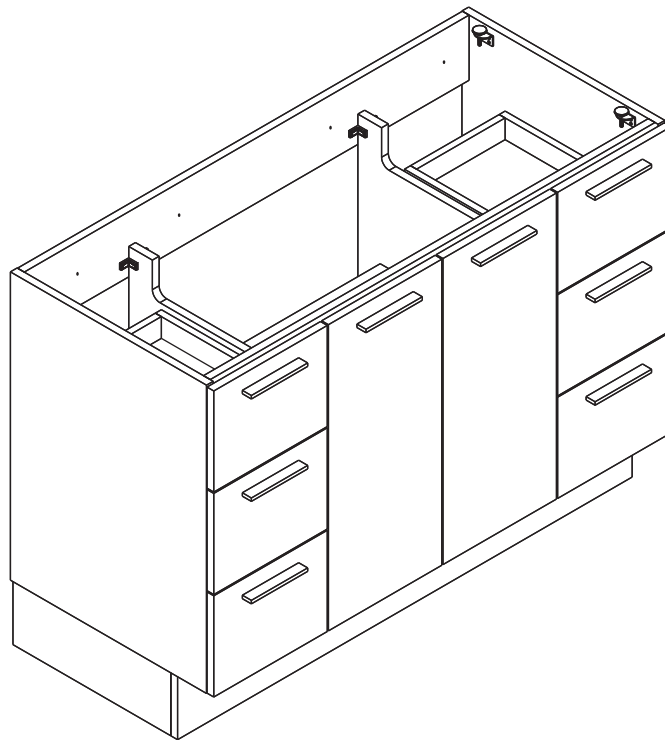




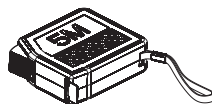
# Installation Guide



Electric drill



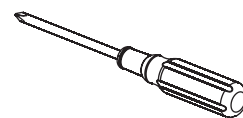
Drill bit  
( $\Phi 8$ )



Tape measure  
(3m~5m)



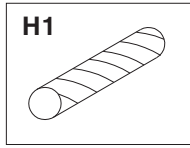
Pencil



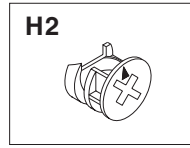
Screwdriver

Tools required for installation

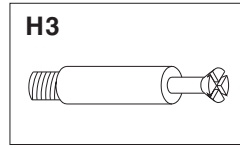
# HARDWARE FITTINGS



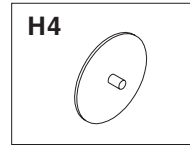
8xØ8x30



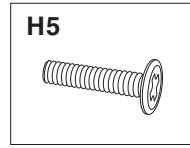
20x



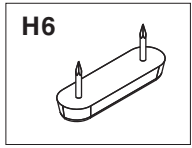
20x



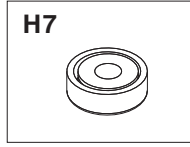
20x



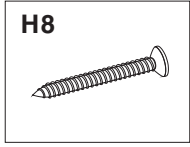
6xØ6x25



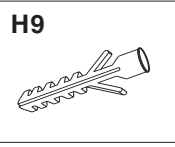
8x



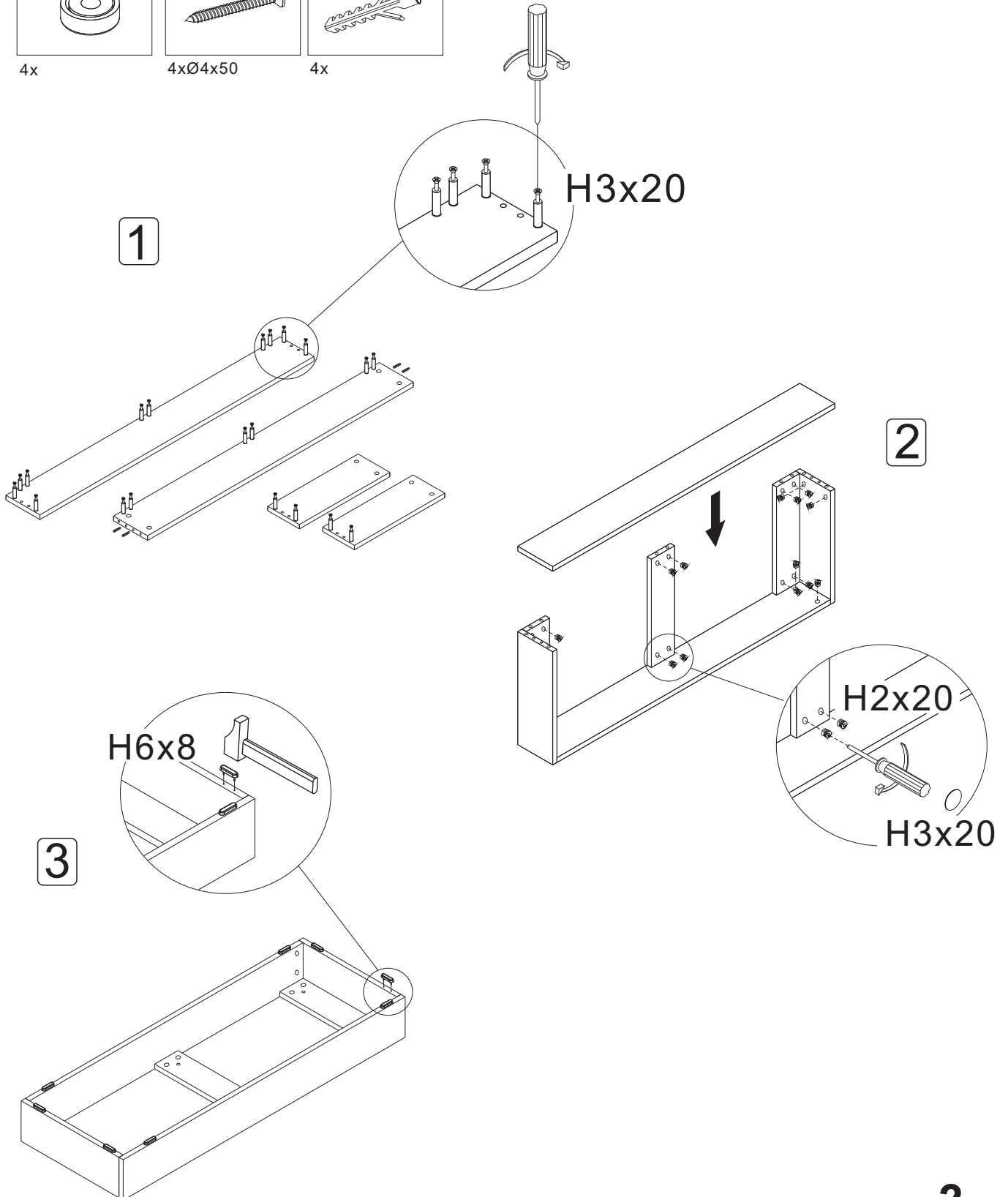
4x



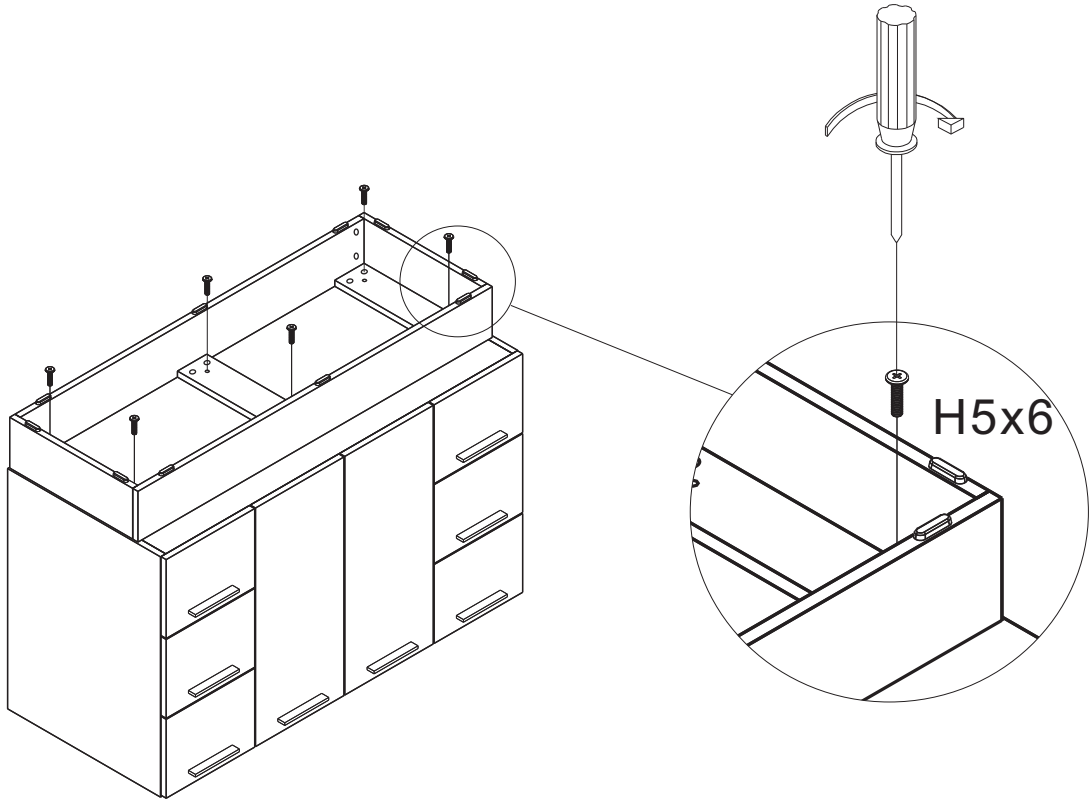
4xØ4x50



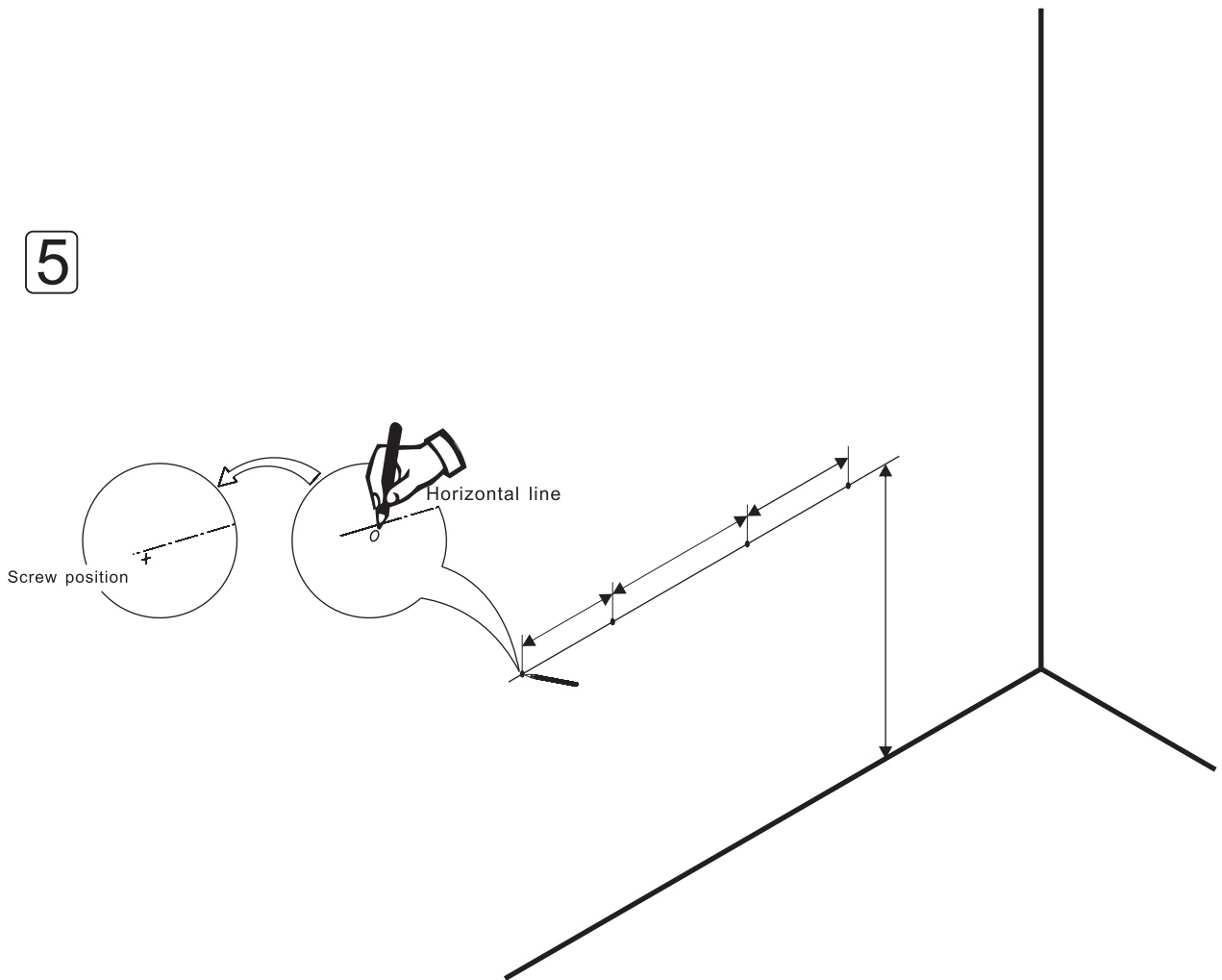
4x



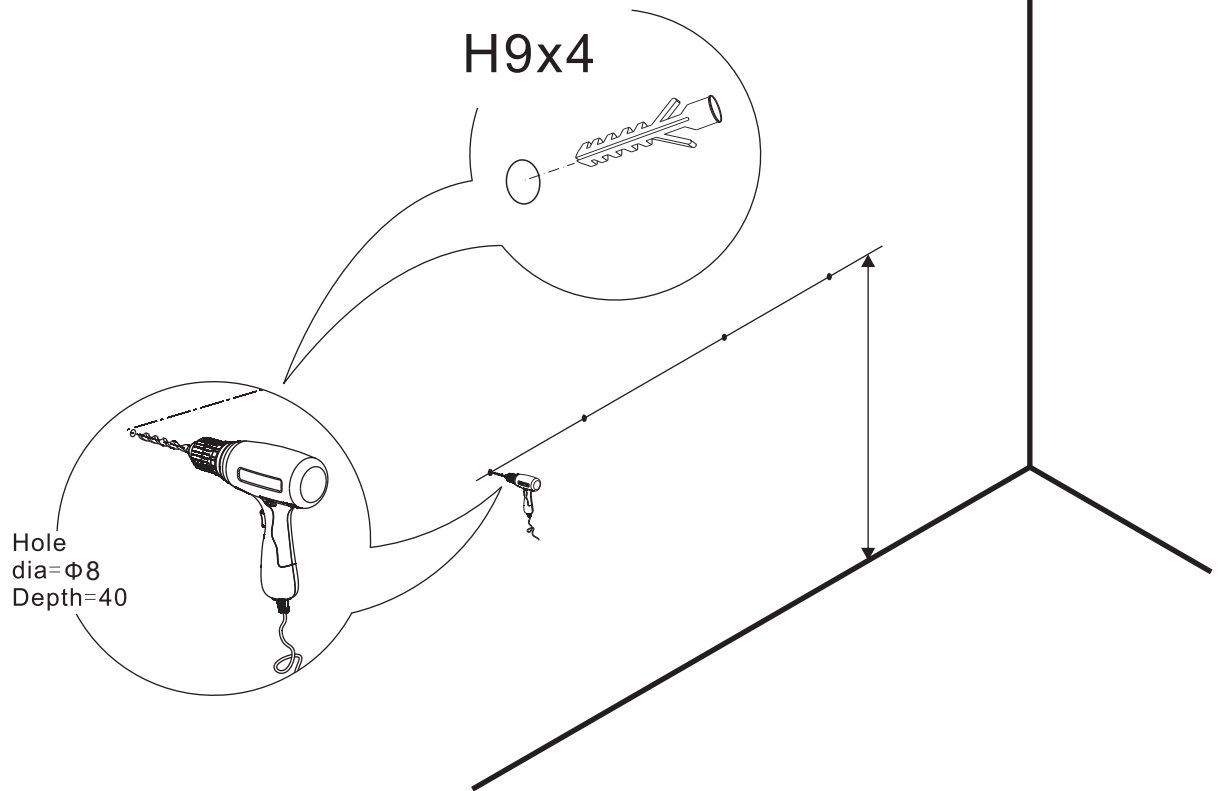
4



5



6



7

