



FEATURES

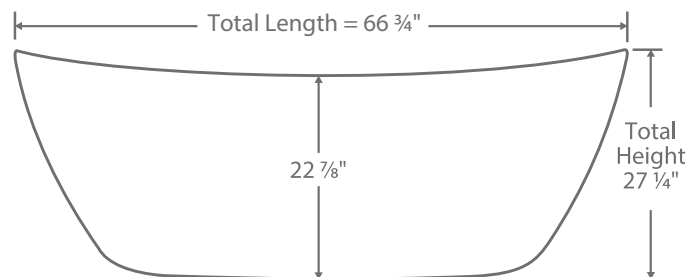
- » Made from Double Layer Acrylic
- » Double Backrest
- » Integrated Overflow
- » Glossy White Finish
- » Center Drain

REQUIRED FOR INSTALLATION

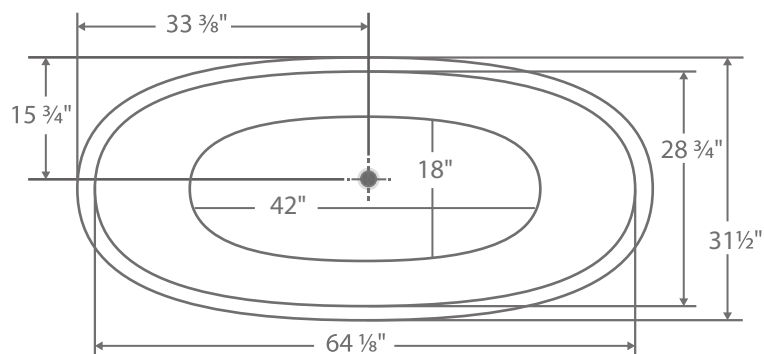
- » Recommended Drain: AT0140

L. 67" x W. 31 1/2" x H. 27 5/8"

SIDE VIEW



TOP VIEW



Dimensions of fixtures are approximate and may vary $\pm 6\text{mm}$ ($\frac{1}{4}$ "). Structure measurements must be verified against the unit to ensure proper fit.