



#### FEATURES

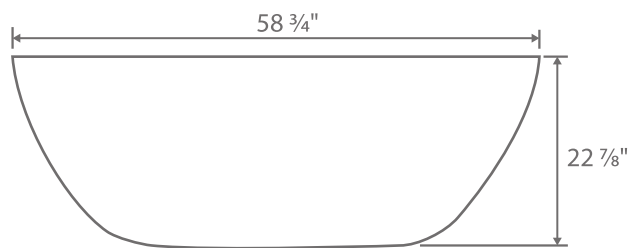
- » Made from Double Layer Acrylic
- » Double Backrest
- » Integrated Overflow
- » Glossy White Finish
- » Center Drain

#### REQUIRED FOR INSTALLATION

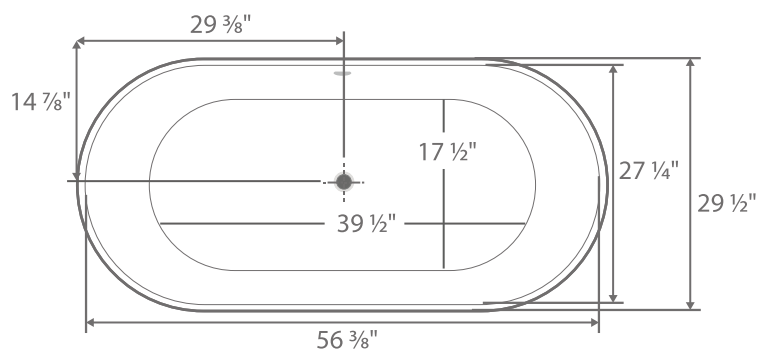
- » Recommended Drain: AT0140

**L. 59" x W. 29 ½" x H. 22 7/8"**

SIDE VIEW



TOP VIEW



Dimensions of fixtures are approximate and may vary  $\pm 6\text{mm}$  ( $1/4"$ ). Structure measurements must be verified against the unit to ensure proper fit.